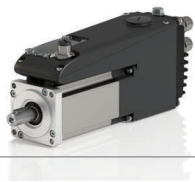


SYSTEM & SOLUTIONS FOR MOTION CONTROL



HMI



CMZ engineers and manufactures electronic systems for industrial motion control.

The company targets to OEMs and systems integrators for the co-development of automatic machines featuring a deep level of customization in multi axis motion. The result: high performing machines with unique, special features.

Established in 1976 focusing on controllers, today CMZ offers a complete portfolio of solutions including the systems design, the electronics programming, the development of ready-to-use application libraries and ad-hoc softwares, alongside a wide selection of master controllers IEC61131 up to 99 axis, integrated and stand-alone drives, brushless and stepper motors up to 120 Nm strictly compact and Made in Italy, peripherals and I/O modules both digital and analogic, integrated vision systems based on machine learning technology, HMI operator panels.

CMZ's high technological and safety standing is based on its team of 70 technicians and engineers. The systems realized to date in its plant count over 125,000 units.

CMZ is part of SOGA ENERGY TEAM industrial group operating in energy, motion and control since 1966.

CMZ sviluppa e realizza sistemi elettronici e soluzioni per il motion control industriale.

L'azienda si rivolge a OEMs e system integrators per la co-progettazione di macchine automatiche dotate di funzionalità personalizzate e speciali nella movimentazione degli assi. Il risultato: macchine ad alta performance e dalle caratteristiche uniche.

Fondata nel 1976 con focus sui controllori, oggi CMZ offre un portfolio integrale di soluzioni che include la progettazione dei sistemi, la programmazione dell'elettronica, lo sviluppo di librerie applicative ready-to-use e pacchetti software ad-hoc, affiancati a un'ampia scelta di controllori IEC 61131 programmabili fino a 99 assi, azionamenti integrati e stand-alone, motori brushless e passo-passo fino a 120 Nm rigorosamente compatti e Made in Italy, periferiche e moduli I/O digitali e analogici, sistemi di visione integrata con tecnologia machine learning, pannelli operatore HMI.

L'elevato standing tecnologico e di sicurezza di CMZ si basa su un team di 70 tecnici e ingegneri. I sistemi realizzati fino ad oggi nel sito produttivo dell'azienda sono oltre 125.000. CMZ fa parte del gruppo industriale SOGA ENERGY TEAM, attivo dal 1966 a livello internazionale nei settori power generation, motion e control.





HFLÄFDW

RANGE OF PRODUCTS
GAMMA PRODOTTI



HMI

Industrial
touch panels

HMI

NEW
product

- FROM 4,3" TO 15" SVGA TFT WIN CE AND EMBEDDED TOUCH COMPUTER

PT2 new series is made up of 7 touch screen terminals models designed upon Industry 4.0 and IoT.

- Improved screen resolution and brightness. More and more details in the colors.
- Working memory extended from 32MB to 64MB even on the smallest models.
- USB host from 1.1 to 2.0 (maximum speed for application downloading).
- Battery supplied as standard with 5-year life, replaceable.
- 5 COM communication interfaces (4 only on the smaller model).
- Usable with PM DESIGNER V2.1.9.46 or later versions.

All models can be connected with CMZ controllers and the most popular programmable controllers, thanks to standard or dedicated protocols.

- DA 4,3 "A 15" SVGA TFT WIN CE E COMPUTER TOUCH INCORPORATO

La nuova serie PT2 è costituita da 7 modelli di terminali touch screen progettati in ottica Industry 4.0 e IoT.

- Risoluzione e luminosità dello schermo ottimizzati. Sempre più dettagli nei colori.
- Working memory estesa da 32MB a 64MB anche sui modelli più piccoli.
- USB host da 1.1 a 2.0 (massima velocità in fase di download dell'applicativo).
- Batteria fornita di serie con durata 5 anni, sostituibile.
- 5 porte COM (4 porte sul modello più piccolo PT2043 da 4.3").
- Utilizzabili con PM DESIGNER V2.1.9.46 o versioni successive.

Tutti i modelli sono compatibili con i controllori CMZ e con i più comuni PLC di mercato tramite protocolli standard o dedicati.

PT2

Industrial touch panels

• PT2 MODELS

Premium level



		PT2 043	PT2 070	* PT2 070 WST
		PT2043-41ST-F1Q1	PT2070-51ST-L1Q1	PT2070-WST4B-F1R1
Display	Size	4.3" diagonal (16:9)	7" diagonal (16:9)	7" diagonal (16:9)
	Max Resolution	480 x 272	800 x 480	800 x 480
	Type	TFT-LCD	TFT-LCD	TFT-LCD
	Max. Colors	16-bit	16-bit	16-bit
	Backlight Type	LED	LED	LED
	Backlight Life (hr)	20000	20000	20000
	Luminance (cd/m2)	350	350	330
	Touch Panel	4 Wire resistive Analog Touch Panel	4 Wire resistive Analog Touch Panel	4 Wire resistive Analog Touch Panel
	CPU	RISC ARM9 32Bit	RISC ARM9 32Bit	RISC ARM9 32Bit
	Battery Backup SRAM	128 KB	128 KB	128 KB
	Working Memory	64MB	64MB	64MB
	AP Max Size for Memory	64MB	64MB	About 40MB
	Data File Memory	64MB	64MB	64MB
	Real Time Clock	Yes	Yes	Yes
Communication Interface	USB Client	Yes (USB 2.0)	Yes (USB 2.0)	Yes (USB 2.0)
	USB Host	Yes (USB 2.0)	Yes (USB 2.0)	Yes (USB 2.0)
	Serial (Com1)	RS232 (5-Pin Terminal)	RS232 (DB9)	RS232/ 422 /485 (DB9)
	Serial (Com2)	RS422/485 (5-Pin Terminal)	RS422/485 (DB9)	RS232/485 (5-Pin Terminal)
	Serial (Com3)	RS485 (5-Pin Terminal)	RS485 (DB9)	RS232 (DB9)
	Serial (Com4)	RS485 (5-Pin Terminal)	RS485 (5-Pin Terminal)	N/A
	Serial (Com5)	N/A	RS485 (5-Pin Terminal)	N/A
	Ethernet	Yes	Yes	Yes
Power	Supply Voltage	24VDC±10% Isolated	24VDC±10% Isolated	24VDC±10% Isolated
	Consumption	10W	20W	20W
	Operating Temp.	-10°~ 60° C	-10°~ 60° C	-10°~ 60° C
Environment	Relative Humidity	10% ~ 90%	10% ~ 90%	10% ~ 90%
	Ingress Protection	IP66	IP66	IP66
	Cooling	Natural Cooling	Natural Cooling	Natural Cooling
Dimensions	Dimensions WxHxD (mm)	129.0 x 103.0 x 33	203.5 x 148.5 x 37.0	188.0 x 143.3 x 35.5
	Cutout Dimensions WxH (mm)	118.5 x 92.5	191.5 x 138	175.0 x 132.5
	Net Weight (kg)	0.23	0.55	0.6

* Available only for substitution of old **PT070** model
 Disponibile solo a sostituzione del precedente modello **PT070**

• PT2 MODELS
Premium level

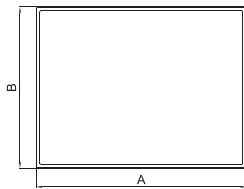


		PT2 100	PT2 104	PT2 121	PT2 150
		PT2100-51ST-F1Q1	PT2104-51ST-F1Q1	PT2121-51ST-V2Q1	PT2150-51ST-V2Q1
Display	Size	10,1" diagonal (16:9)	10,4" diagonal (4:3)	12,1" diagonal (4:3)	15" diagonal (4:3)
	Max Resolution	1024 x 600	800x600	1024 x 768	1024 x 768
	Type	TFT-LCD	TFT-LCD	TFT-LCD	TFT-LCD
	Max. Colors	16-bit	16-bit	16-bit	16-bit
	Backlight Type	LED	LED	LED	LED
	Backlight Life (hr)	20000	20000	50000	50000
	Luminance (cd/m2)	250	450	500	350
	Touch Panel	4 Wire resistive Analog Touch Panel	4 Wire resistive Analog Touch Panel	4 Wire resistive Analog Touch Panel	5 Wire resistive Analog Touch Panel
	CPU	RISC ARM9 32Bit	RISC ARM9 32Bit	RISC ARM9 32Bit	RISC ARM9 32Bit
	Battery Backup SRAM	128 KB	128 KB	128KB	128KB
	Working Memory	64MB	64MB	64MB	64 MB
	AP Max Size for Memory	64MB	64MB	64MB	64MB
	Data File Memory	64MB	64MB	64MB	64MB
	Real Time Clock	Yes	Yes	Yes	Yes
Communication Interface	USB Client	Yes (USB 2.0)	Yes (USB 2.0)	Yes (USB 2.0)	Yes (USB 2.0)
	USB Host	Yes (USB 2.0)	Yes (USB 2.0)	Yes (USB 2.0)	Yes (USB 2.0)
	Serial (Com1)	RS232 (DB9)	RS232 (DB9)	RS232 (DB9)	RS232 (DB9)
	Serial (Com2)	RS422/485 (DB9)	RS422/485 (DB9)	RS422/485 (DB9)	RS422/485 (DB9)
	Serial (Com3)	RS485 (DB9)	RS485 (DB9)	RS485 (DB9)	RS485 (DB9)
	Serial (Com4)	RS485 (5-Pin Terminal / Optional)	RS485 (5-Pin Terminal / Optional)	RS485 (5-Pin Terminal / Optional)	RS485 (5-Pin Terminal / Optional)
	Serial (Com5)	RS485 (5-Pin Terminal) / Optional:RS232 (5-Pin Terminal)	RS485 (5-Pin Terminal) / Optional:RS232 (5-Pin Terminal)	RS485 (5-Pin Terminal) / Optional:RS232 (5-Pin Terminal)	RS485 (5-Pin Terminal) / Optional:RS232 (5-Pin Terminal)
	Ethernet	Yes	Yes	Yes	Yes
Power	Supply Voltage	24VDC±10% Isolated	24VDC±10% Isolated	24VDC±10% Isolated	24VDC±10% Isolated
	Consumption	20W	20W	20W	25W
Environment	Operating Temp.	-10°~ 60° C	-10°~ 60° C	-10°~ 60° C	-10°~ 60° C
	Relative Humidity	10%~90%	10%~90%	10%~90%	10%~90%
	Ingress Protection	IP66	IP66	IP66	IP66
	Cooling	Natural Cooling	Natural Cooling	Natural cooling	Natural Cooling
Dimensions	Dimensions WxHxD (mm)	270.8 x 212.8 x 42.5	270.8 x 212.8 x 42.5	335.4 x 245 x 58.2	399.1 x 297.6 x 57.5
	Cutout Dimensions WxH (mm)	259.5 x 201.5	259.5 x 201.5	302 x 228.0	384.5 x 283.0
	Net Weight (kg)	1,1	2	2	3
Battery	5 Years Life				

PT2

Industrial touch panels

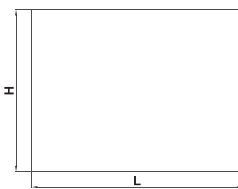
DIMENSIONS



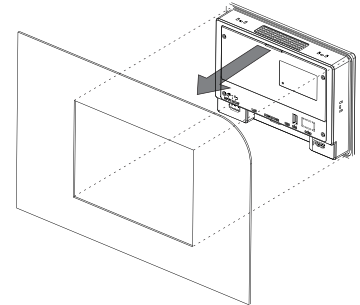
Outlet Dimensions



6mm
(PT2043:5mm)

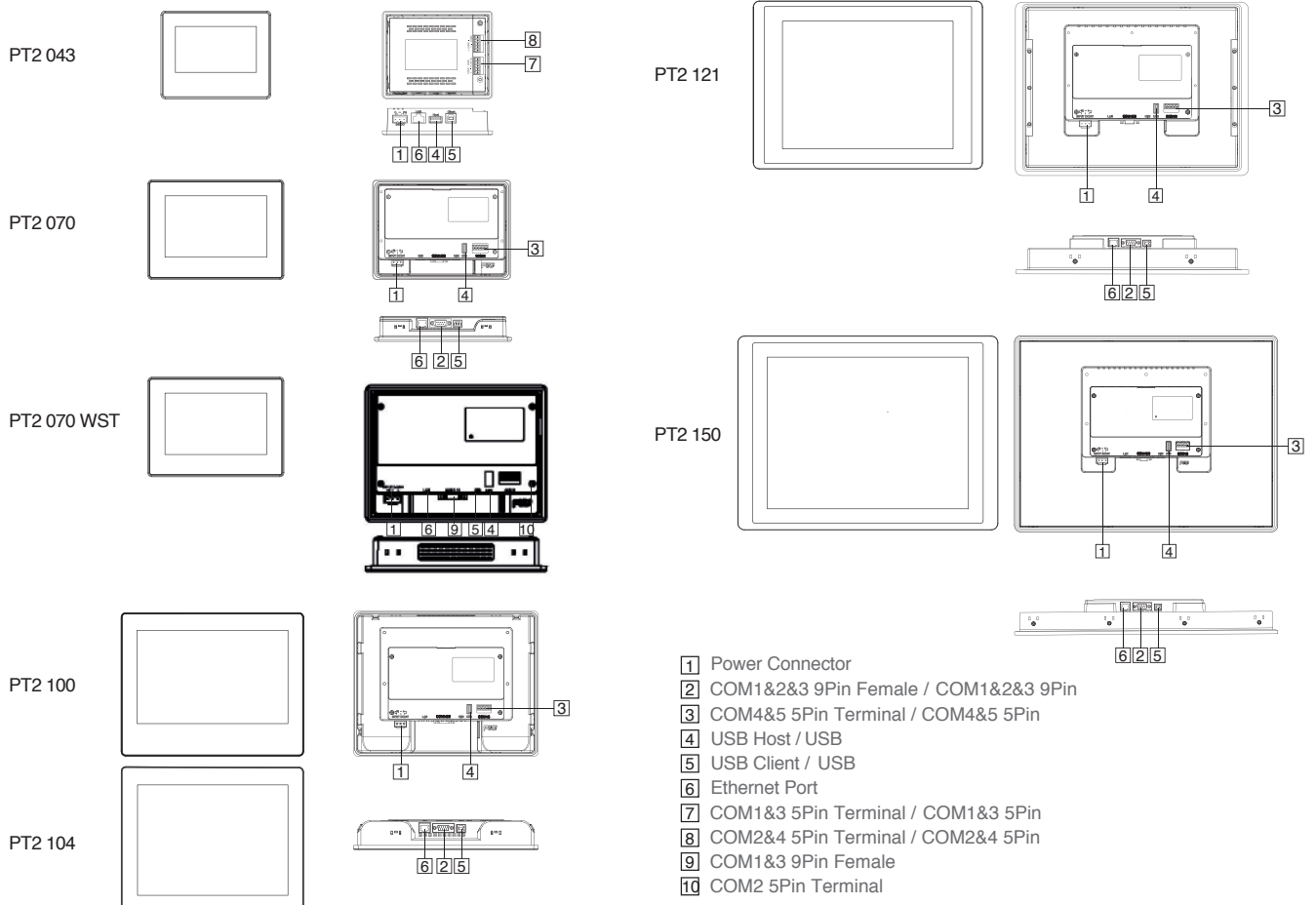


Cut Out Dimensions



Model	A	B	C*	L	H
PT2 043	129mm/5.08"	103mm/4.06"	33mm/1.30"	118.5mm/4.67"	92.5mm/3.64"
PT2 070	203.5mm/8.01"	148.5mm/5.85"	37mm/1.46"	191.5mm/7.54"	138mm/5.43"
PT2 070 WST	189.6mm	144.9mm	29.3mm	175.5mm	133mm
PT2 100	270.8mm/10.66"	212.8mm/8.38"	42.5mm/1.67"	259mm/10.2"	201mm/7.91"
PT2 104	270.8mm/10.66"	212.8mm/8.38"	42.5mm/1.67"	259mm/10.2"	201mm/7.91"
PT2 121	335.4mm/13.20"	245.9mm/9.68"	58.2mm/2.29"	302mm/11.89"	228mm/8.98"
PT2 150	399.1mm/15.71"	297.6mm/11.72"	57.5mm/2.26"	384.5mm/15.14"	283mm/11.14"

* Includes COM Port & Terminal Block Height (PT2 043 for COM2/4 & Others for COM4/5)



PANEL MASTER DESIGN / PANEL EXPRESS



The PM Designer is a simple and intuitive development environment that, with no need of any other software instrument, allows to realize the GUI (Graphical User Interface) and to program the functionalities of CMZ operator panels. This single environment allows the programming and the download of the applications in all the HMI models that CMZ provides (PT2 series).

In addition to the PM Designer (HMI based) we can provide the Panel Express software, that's based on a PC platform.

Il PM Designer è un ambiente di sviluppo gratuito semplice ed intuitivo che permette, senza la necessità di altri strumenti software, di realizzare l'interfaccia grafica e programmare le funzionalità dei pannelli operatore CMZ. Lo stesso ambiente permette la programmazione e il download delle applicazioni su tutti modelli che CMZ propone (versione PT2).

Oltre a PM Designer (HMI based) possiamo fornire il software Panel Express basato su piattaforma PC.

• ORDERING CODES

Panel Master Designer - CMZ HMI based

SW450902: Panel designer 2.0

PanelExpress - PC based

Software	Supplier Code	Type of License	I/O Tags		Link Number		Customized Code	Optional Features	
P2W	STP	A	Windows Online	03	300	016	16-links	14	XXXXXX
		C	Windows USB Dongle	15	1500				
				30	3000				
				50	5000				

CMZ reserves the right to change the data in order to update or improve its products without prior notice
CMZ si riserva il diritto di modificare i dati per aggiornare o migliorare i propri prodotti senza alcun preavviso

soga  energyteam

Doc. CD511401 Revision 10.0 - July 2020

CMZ Sistemi Elettronici Srl

Phone •
Email ••• •••

cmz.it